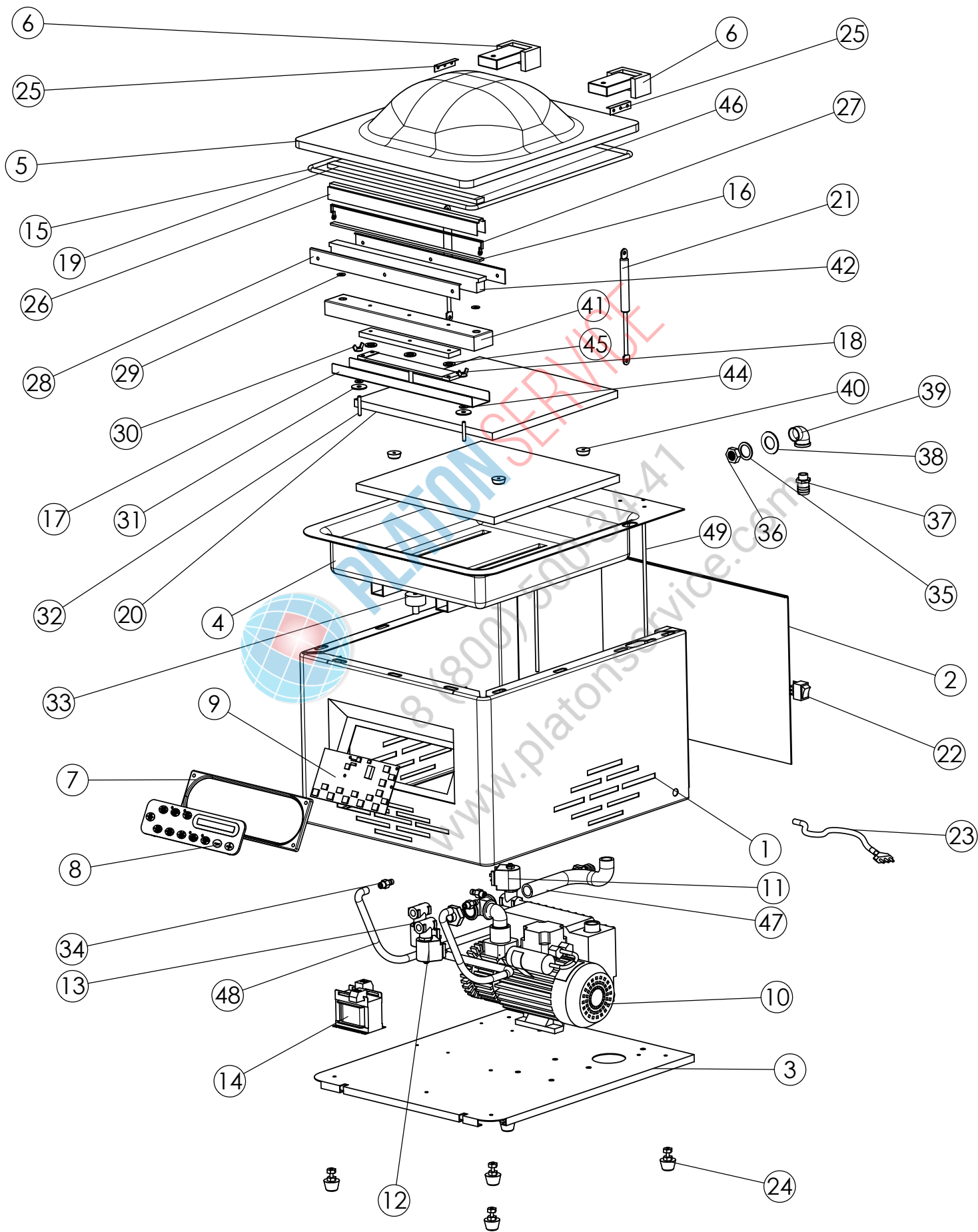


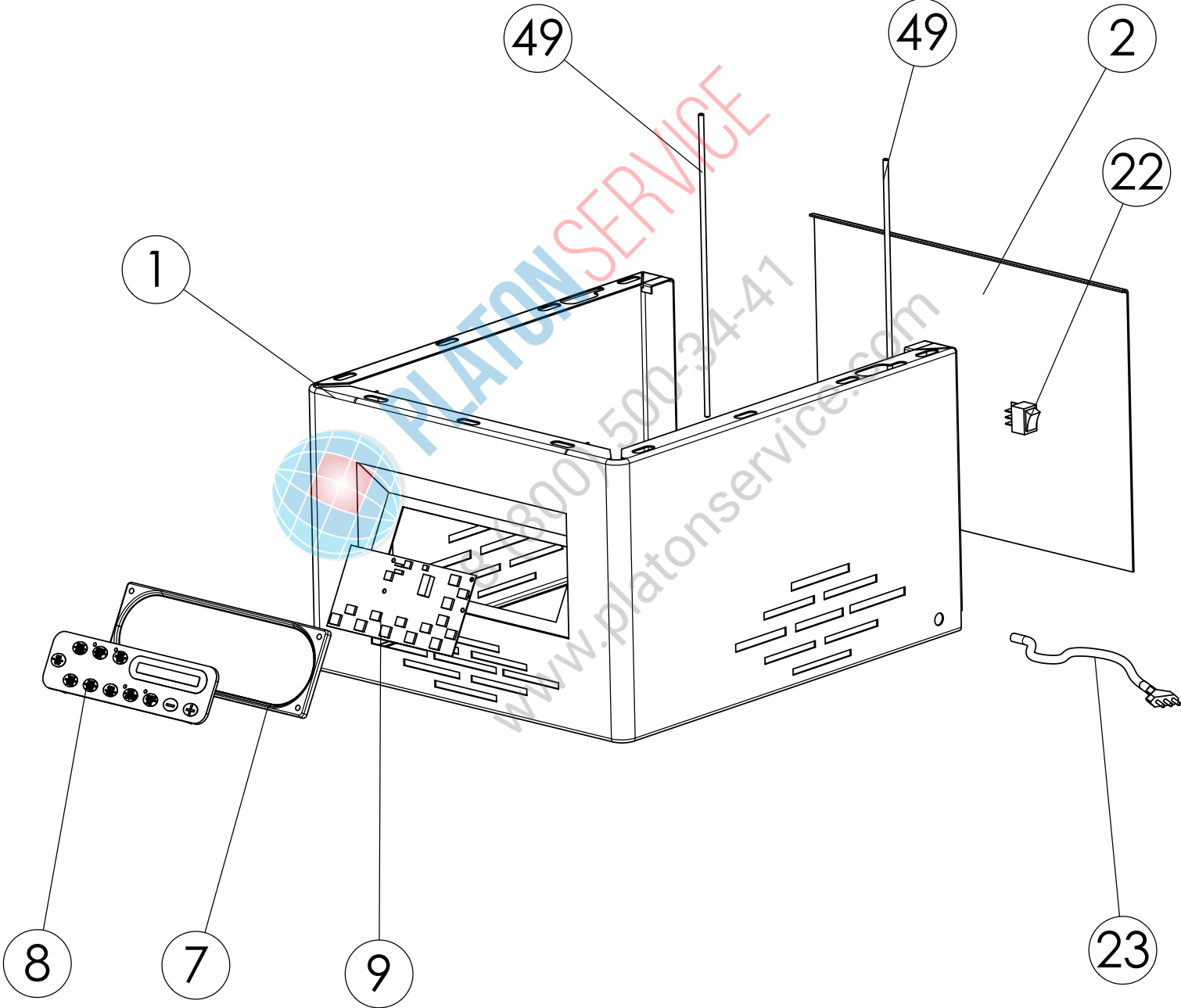
COMPLETE VIEW MODELS WITH BELL FOR THE DESK



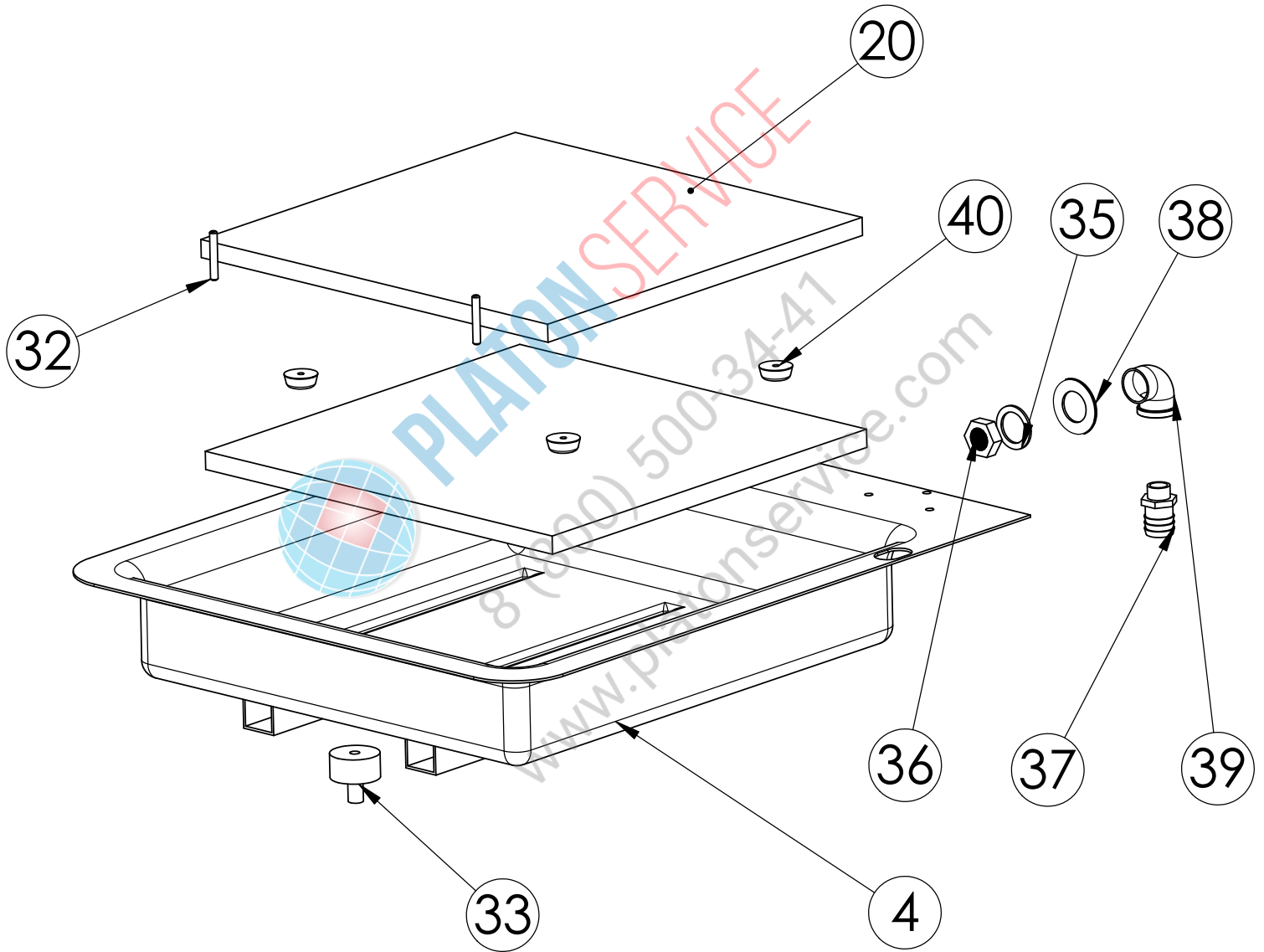
COMPLETE EXPLODED VIEW MODELS WITH BELL FOR THE DESK



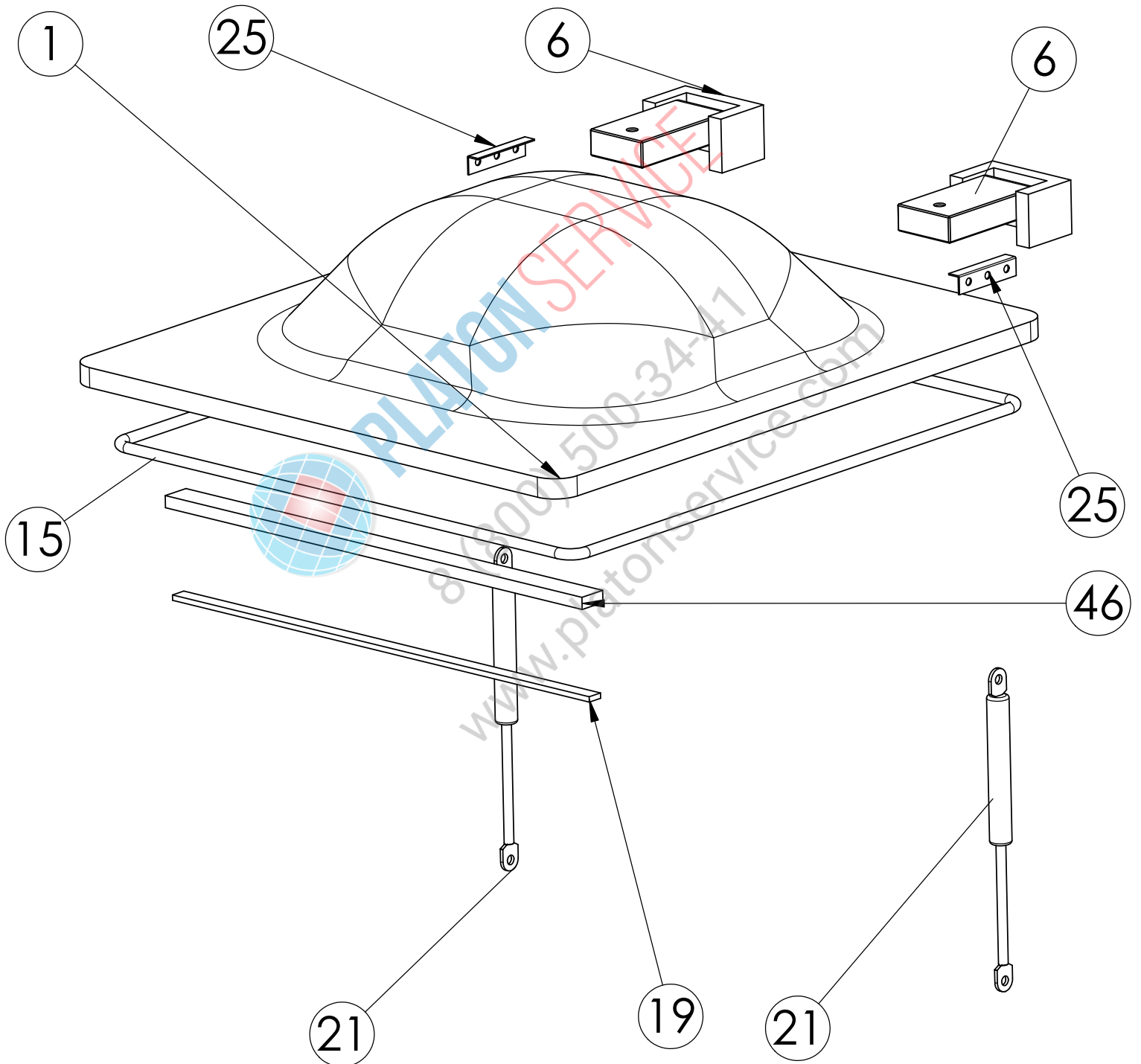
PARTICULAR EXPLODED VIEW STRUCTURE MODELS WITH BELL FOR THE DESK



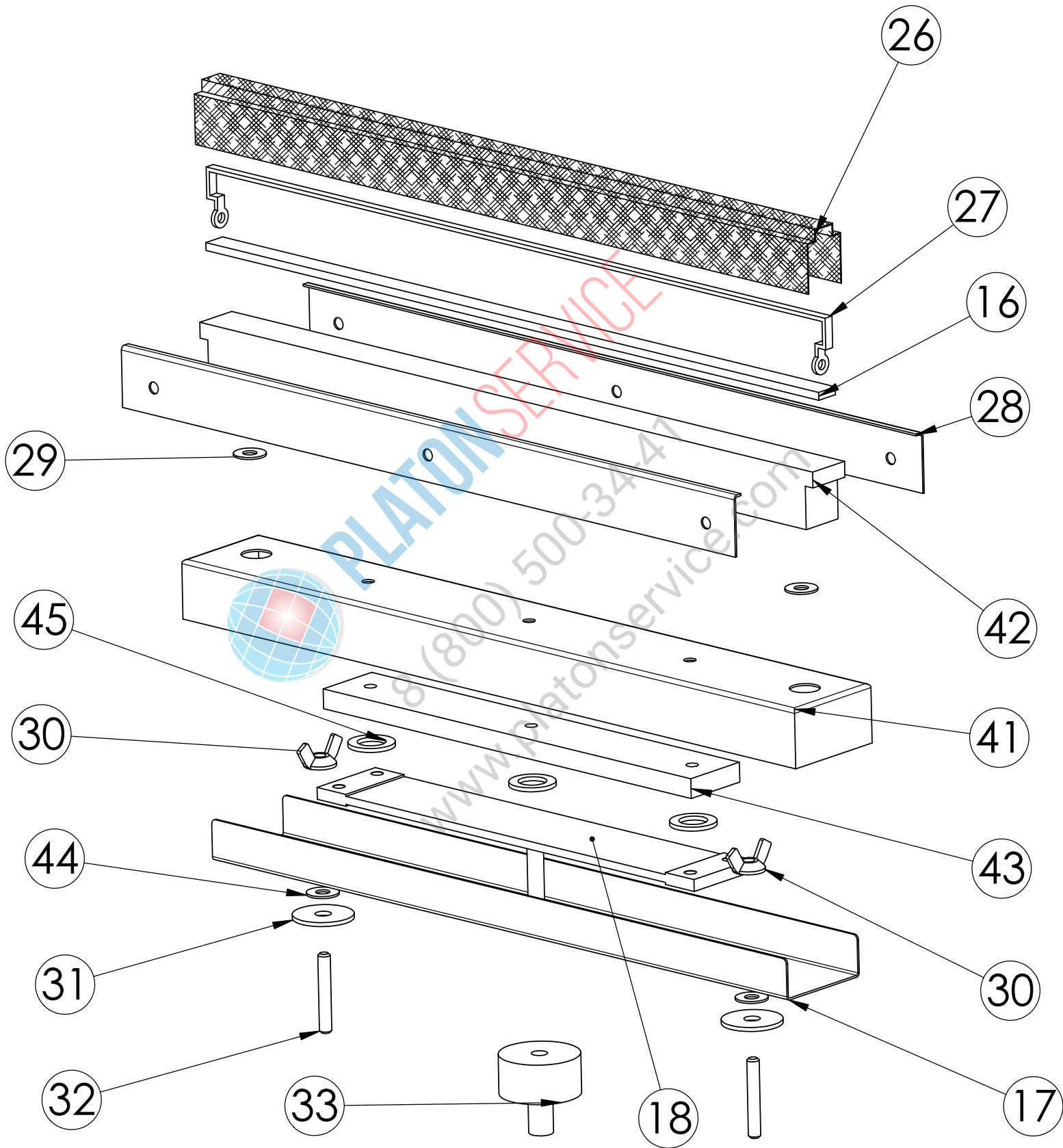
PARTICULAR EXPLODED VIEW CHAMBER MODELS WITH BELL FOR THE DESK



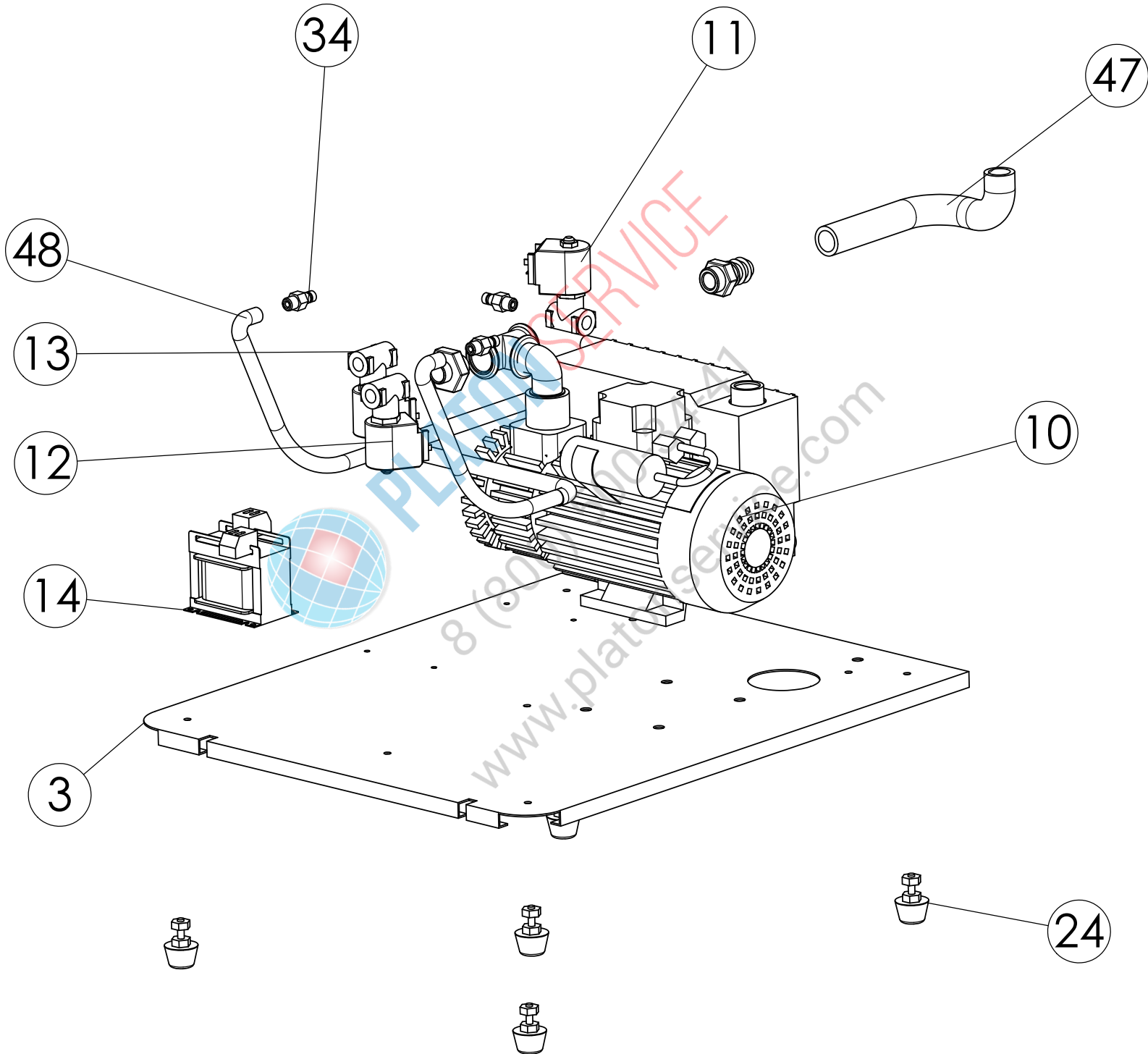
PARTICULAR EXPLODED VIEW BELL MODELS WITH BELL FOR THE DESK



PARTICULAR EXPLODED VIEW BELL MODELS WITH BELL FOR THE DESK



PARTICULAR EXPLODED VIEW MACHINE BASE MODELS WITH BELL FOR THE DESK



COMPONENTS LEGEND OF DIGITAL VACUUM PACKAGING MACHINE WITH BELL FOR THE DESK

1 - STAINLESS STEEL STRUCTURE	
2 - STAINLESS STEEL BACK DOOR	
3 - MACHINE BASE	
4 - STAINLESS STEEL PRINTED CHAMBER	
5 - PLEXIGLASS BELL	
6 - N° 2 ALUMINIUM HINGES TO FIXE THE CHAMBER	
7 - SUPPORT FIR THE PANNEL OF BLACK ABS	
8 - DIGITAL LCD CONTROLL PANNEL	COD. 0650T
9 - ELECTRONIC CARD	COD. 0650
10 - VACUUM PUMP	
11 - GAS INJECTION SOLENIOD VALVE 2V	COD. 0618
12 - UNLOADING SOLENIOD VALVE 2V	COD. 0618
13 - SEALING SOLENIOD VALVE 3V	COD. 0618
14 - ELECTRIC TRANSFORMER	COD. 0676
15 - RUBBER GASKET FOR BELL MODELS	COD. 0622
16 - BAKELITE SUPPORT	
17 - BELOW SUPPORT FOR THE WELDING BAR	
18 - WELDING DIAPHRAGM	COD. 0646
19 - STAINLESS STEEL SILICONE HOLDER	
20 - FILLING PLATFORM OF POLYTHYLENE	
21 - PISTON FOR BELL OPENING	COD. 0681
22 - LINE SWITCH	COD. 0616
23 - POWER SUPPLY CABEL	
24 - RUBBER FEET FOR MACHINE SUPPORT	COD. 0631
25 - SUPPORT FOR PNEUMATIC PISTON	
26 - NON CONDUCTOR TEFLON CLOTH	COD. 0660
27 - ELECTRIC RESISTANCE MM 5X0.30	COD. 0636
28 - STAINLESS STEEL CORNER FOR SEALING BAR	
29 - SPACER WASHER	
30 - FIXING SEALING BAR	
31 - NON-CONDUCTOR SPACERS OF POLYTHYLENE	
32 - CONTACT BAR ELECTRIC RESISTANCE	
33 - ALUMINIUM CYLINDER FOR FIXING DIAPHRAM	
34 - NIPPLES	
35 - O.R. RUBBER	
36 - NIKEL BRASS NUT	
37 - NIPPLES	
38 - METAL RING	
39 - BRASS CURVE FOR ASPIRATION	
40 - RUBBER FEET FOR FILLING PLATFORMS	
41 - UPPER BOX FOR SEALING BAR	COD. 0615
42 - POLYTHYLENE BAR	COD. 0614
43 - COUNTERBALANCE FOR SEALING BAR	
44 - SPACER WASHER	
45 - SPACER WASHER	
46 - LID BAR WITH SILICONE	COD. 0603
47 - ZINC-COATED MUFF	
48 - ASPIRATION TUBE	
49 - THREAD BAR M6 FOR AUTOREGULATION	